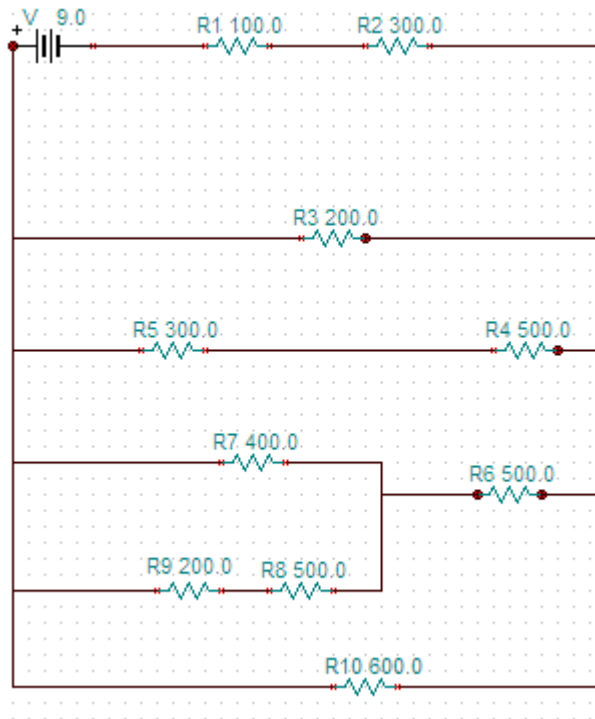


## Resistance of a Combination Circuit

Consider the following circuit and answer the questions below:



- 1) Circle and identify each circuit section that is in parallel or series?
- 2) Is the simplest form of this circuit a parallel circuit or a series circuit?
- 3) Calculate the resistance for each identified section in 1.
- 4) Calculate the total resistance for the circuit.